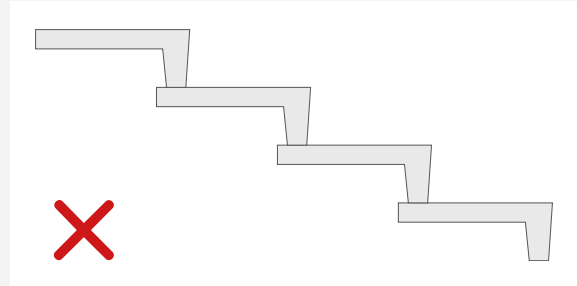
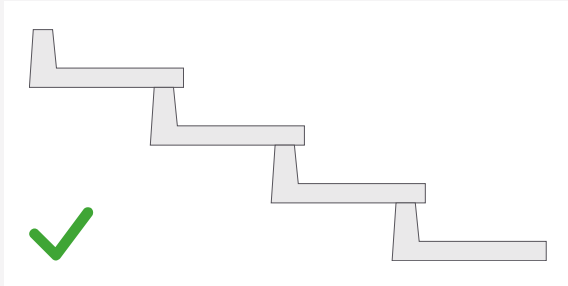


## INSTALLATION INSTRUCTIONS

# STAIR STEP L-MODEL



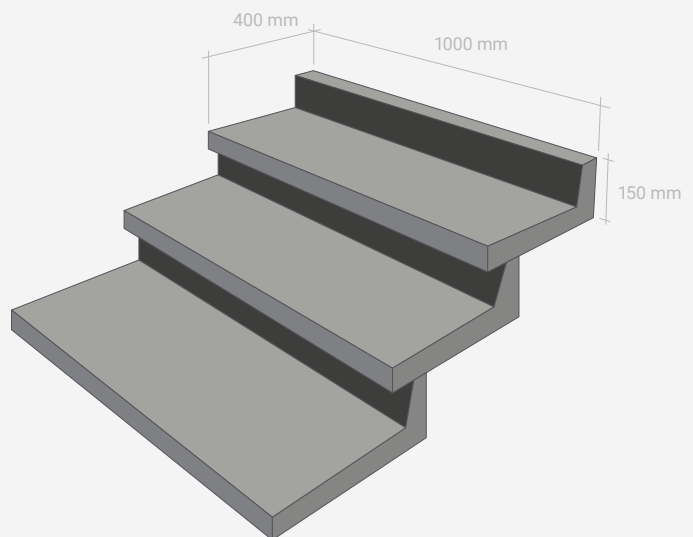
### Stair step dimensions

1000 x 400 x 150 mm (l x w x h)

### How do you lay stair steps?

Stair steps should be laid with the short side facing upwards (see drawings). Have your stair steps laid by experienced professionals.

Information on cleaning and maintaining our Schellevis® slabs can be found at [www.schellevis.nl/en](http://www.schellevis.nl/en)



Scan for different languages:

